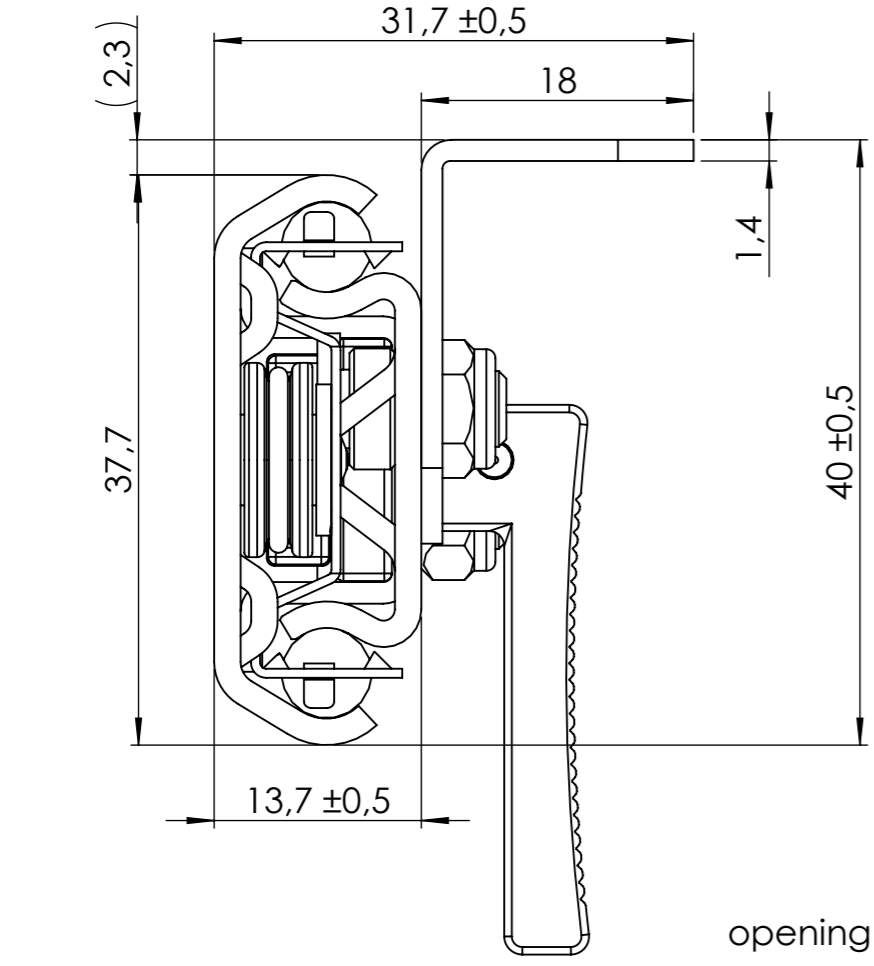
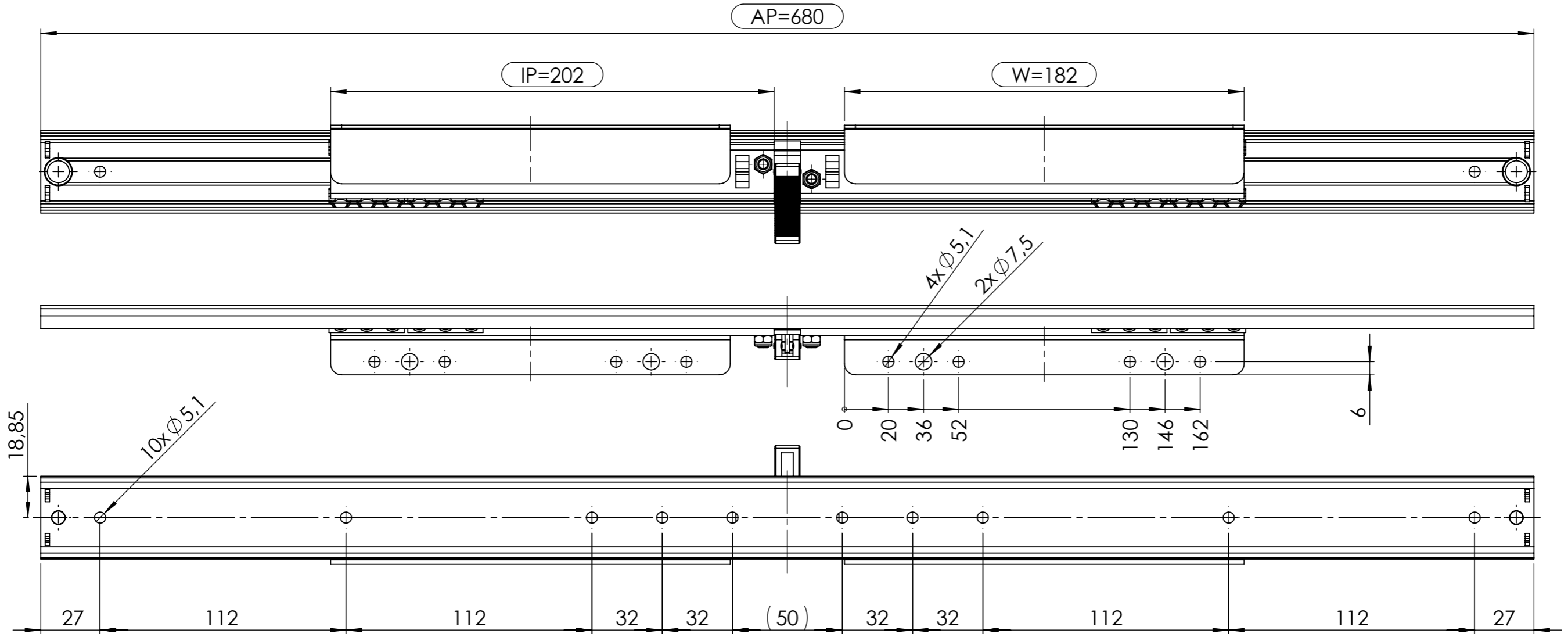
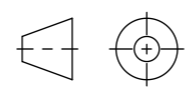


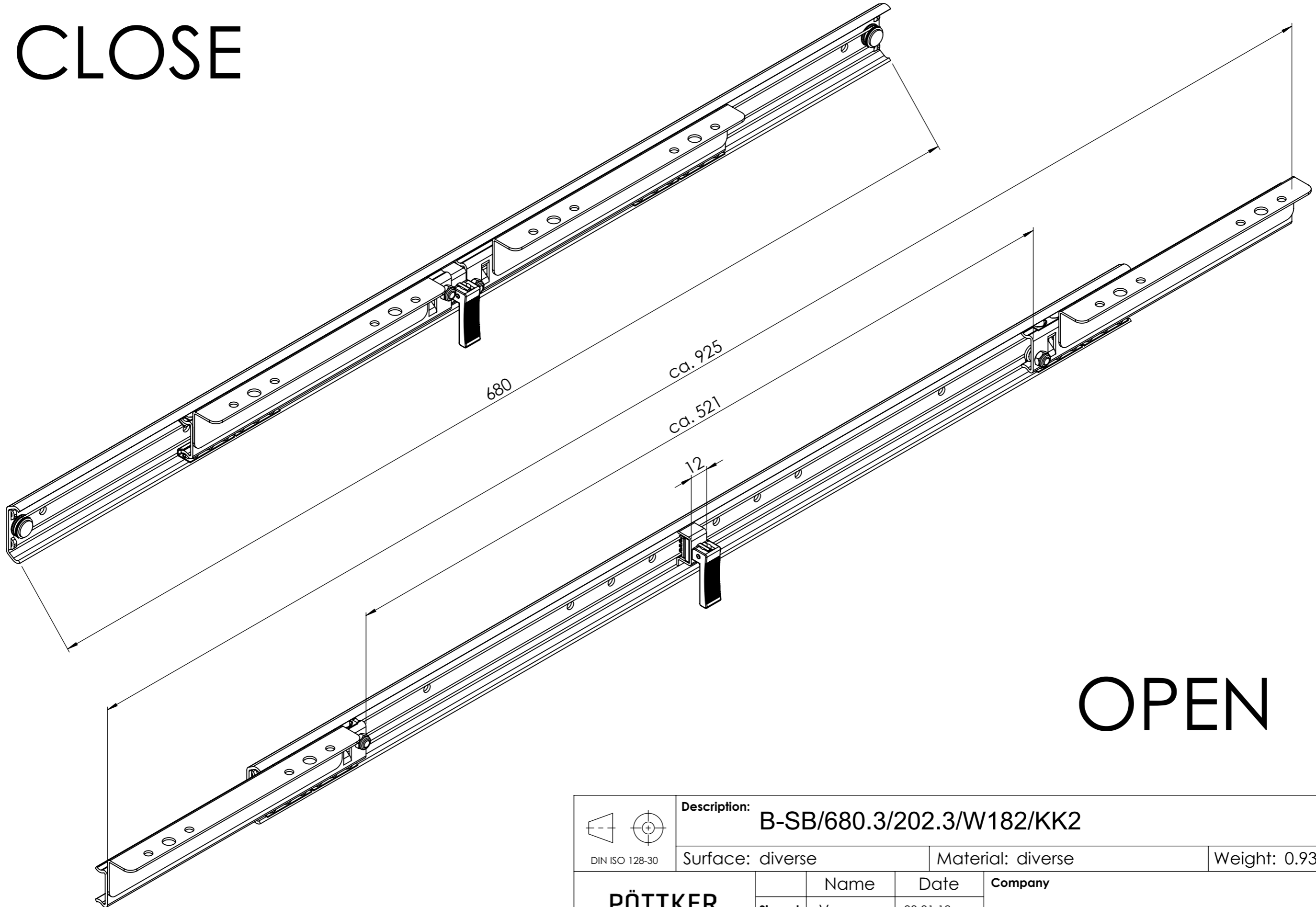
All property rights and rights to exploitation of copyright for this drawing data remain ours; they may not be made available to third parties without our consent.



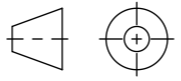
Index	Change		Date	Name
 DIN ISO 128-30	<b>Description:</b> B-SB/680.3/202.3/W182/KK2			
	Surface: diverse		Material: diverse	
<b>PÖTTKER</b> Transforming furniture		<b>Signed</b> Vaquero	<b>Date</b> 03.01.18	<b>Company</b> Second Company:
<b>Tested</b> J. Vaquero		<b>Date</b> 03.01.2018	Weight: 0.93 kg	
General tolerance: DIN ISO 2768 - m		Item No: <b>37068112</b>	Scale 1:2	Page 1/3

All property rights and rights to exploitation of copyright for this drawing data remain ours; they may not be made available to third parties without our consent.

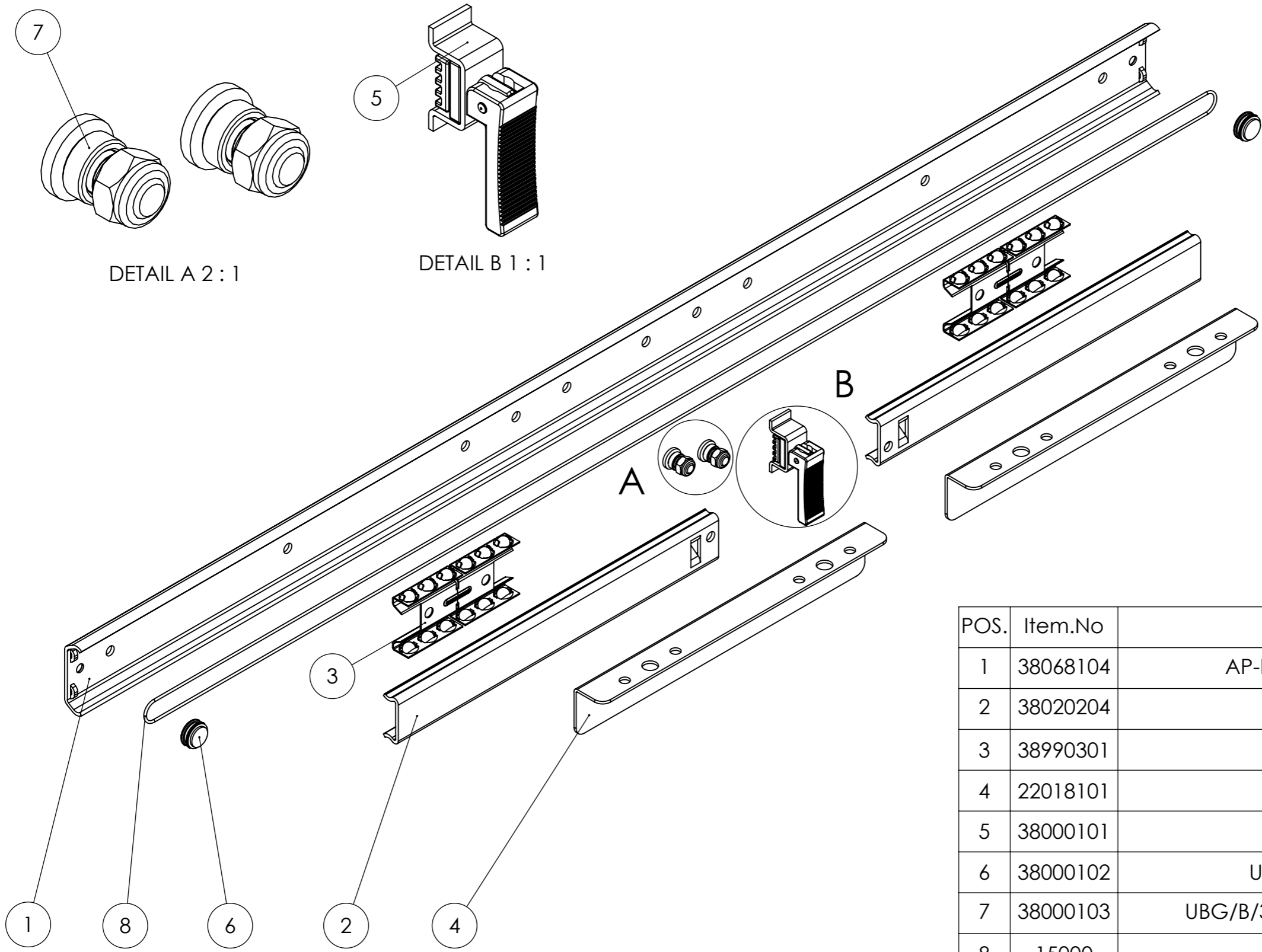
# CLOSE



# OPEN

 DIN ISO 128-30	<b>Description:</b> B-SB/680.3/202.3/W182/KK2				
	Surface: diverse		Material: diverse		Weight: 0.93 kg
<b>PÖTTKER</b> Transforming furniture	<b>Name</b>	<b>Date</b>	<b>Company</b>		
	<b>Signed</b> Vaquero	03.01.18	Second Company:		
	<b>Tested</b> J. Vaquero	03.01.2018	Second Company:		
General tolerance: DIN ISO 2768 - m		Item No: <b>37068112</b>	Scale 1:2	Page 2/3	<b>A3</b>

All property rights and rights to exploitation of copyright for this drawing data remain ours; they may not be made available to third parties without our consent.



POS.	Item.No	Artikelbezeichnung	Menge x2
1	38068104	AP-B-S_680.3_LB27-5_Typ02	1
2	38020204	IP-B-S_202.3_Typ13	2
3	38990301	KK37_2_St-St	2
4	22018101	W/182.1	2
5	38000101	UBG/B/37-Bremse	1
6	38000102	UBG/B/37-Umlenkrolle	2
7	38000103	UBG/B/37-Synchronseilbefestigung	2
8	15000	Drahtseil Ø1,25x680	1

<p>DIN ISO 128-30</p>	Description: <b>B-SB/680.3/202.3/W182/KK2</b>				
	Surface: diverse		Material: diverse	Weight: 0.93 kg	
<p><b>PÖTTKER</b> Transforming furniture</p>	Name	Date	Company		
	Signed	Vaquero	03.01.18	Second Company:	
Tested	J. Vaquero	03.01.2018			
General tolerance: DIN ISO 2768 - m		Item No: <b>37068112</b>	Scale 1:2	Page 3/3	<b>A3</b>