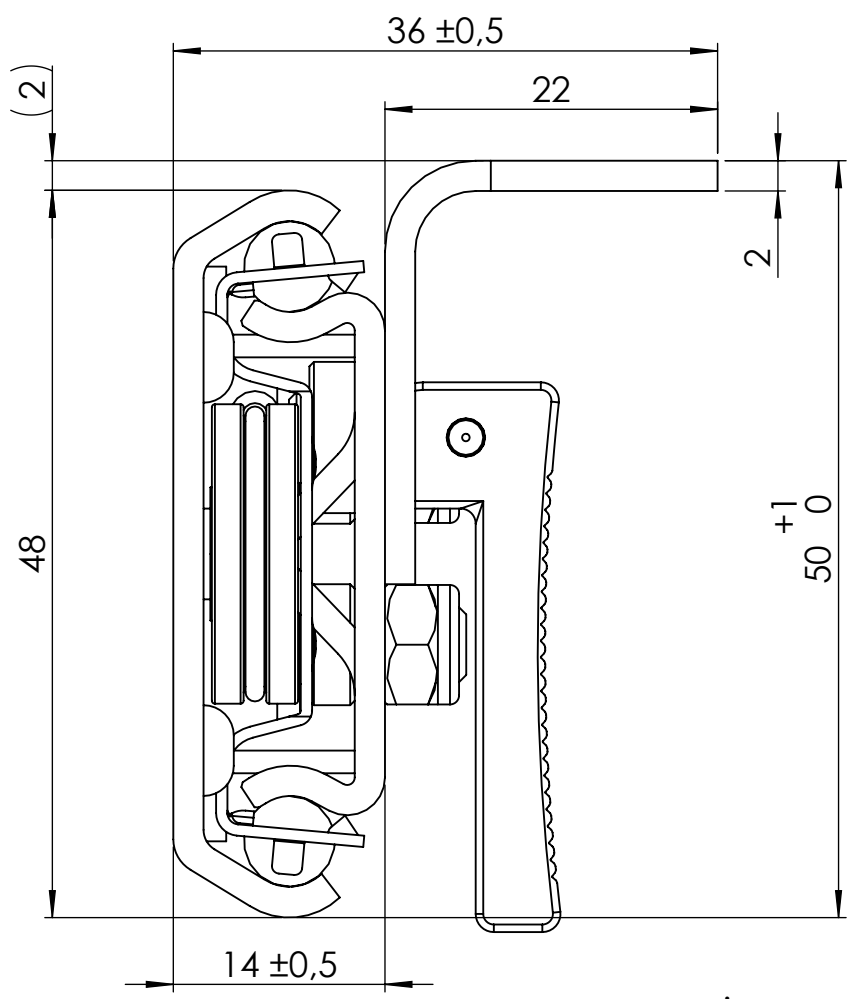
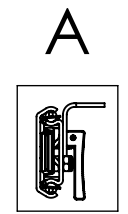
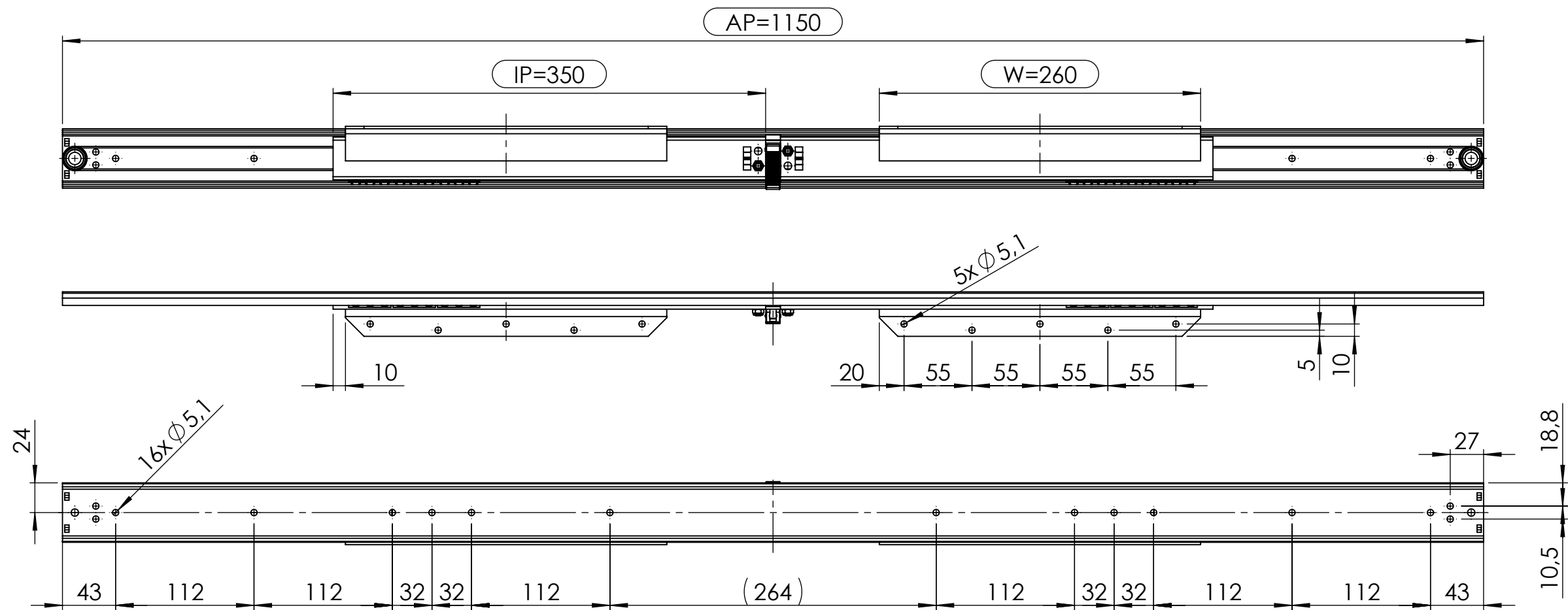


All property rights and rights to exploitation of copyright for this drawing data remain ours; they may not be made available to third parties without our consent.



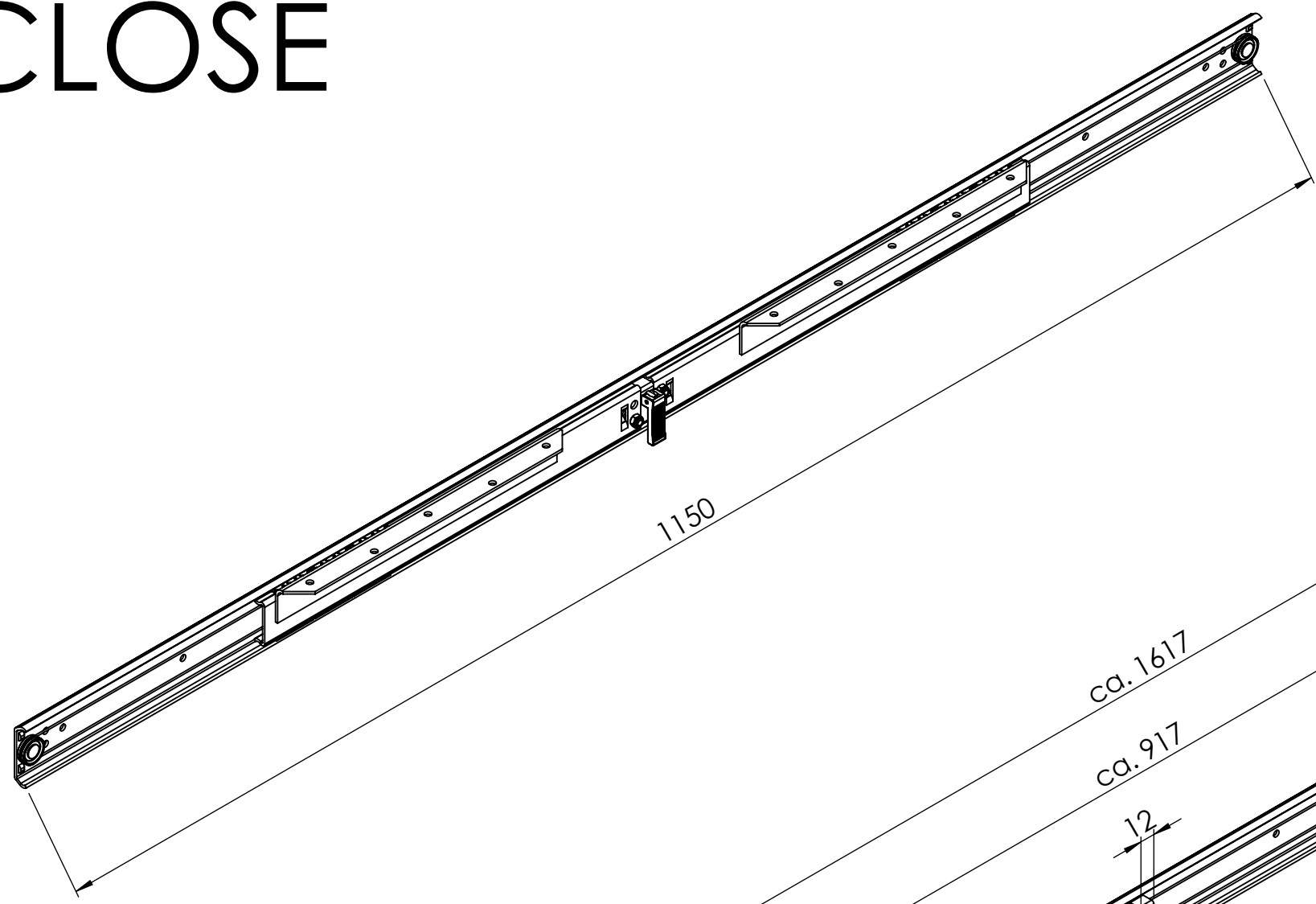
DETAIL A 2 : 1

opening : ca. 905 mm

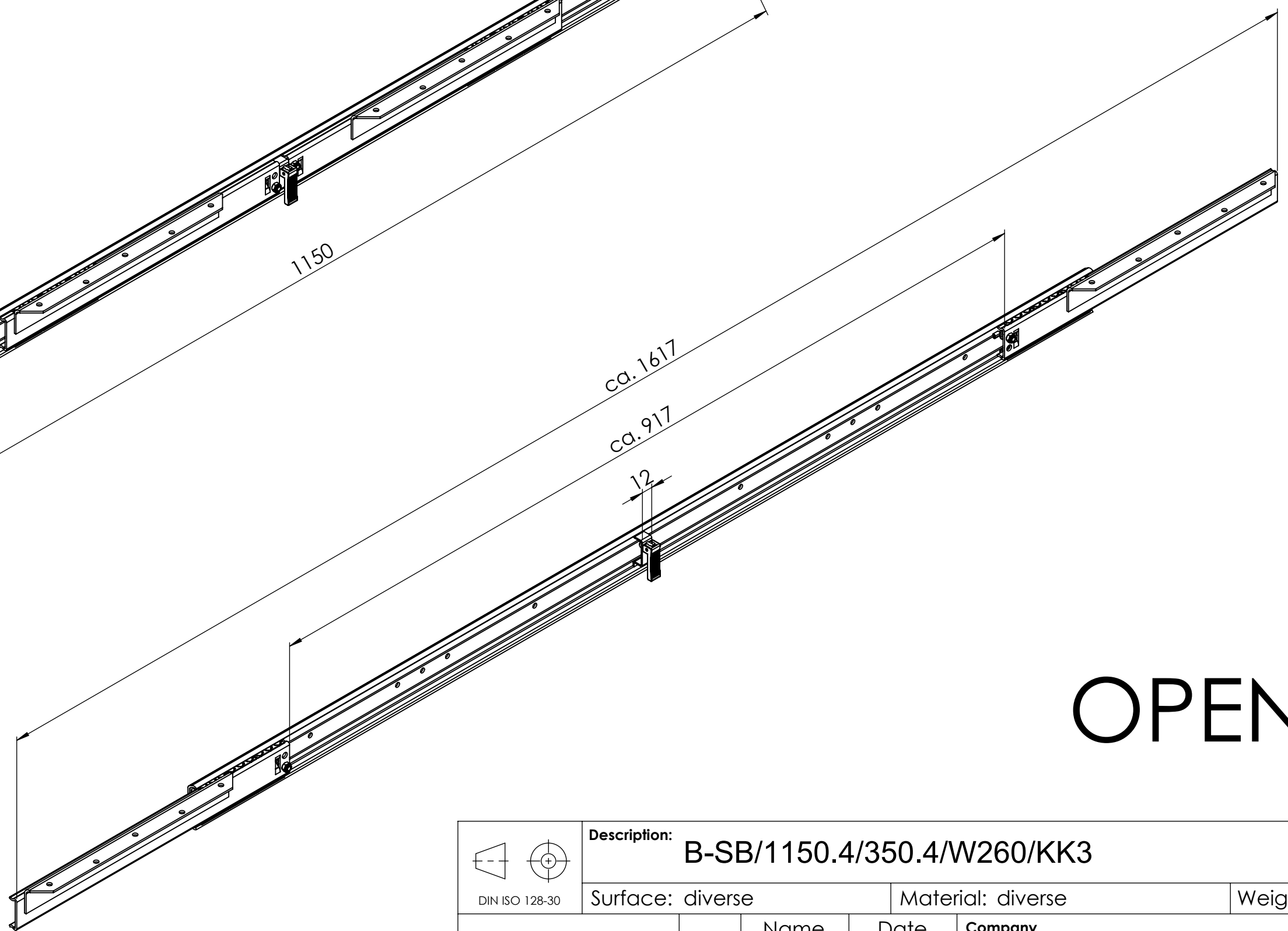
Index	Change		Date	Name
 DIN ISO 128-30	Description: <b>B-SB/1150.4/350.4/W260/KK3</b>			
	Surface: diverse		Material: diverse	
Weight: 2.13 kg				
<b>PÖTTKER</b> Transforming furniture	Name	Date	Company	
	Signed	Vaquero	25.09.12	
	Tested	J. Vaquero	25.11.2016	Second Company:
General tolerance: DIN ISO 2768 - m		Item No: <b>47115110</b>	Scale 1:4	Page 1/3
				<b>A3</b>

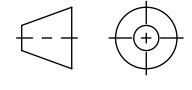
All property rights and rights to exploitation of copyright for this drawing data remain ours; they may not be made available to third parties without our consent.

# CLOSE

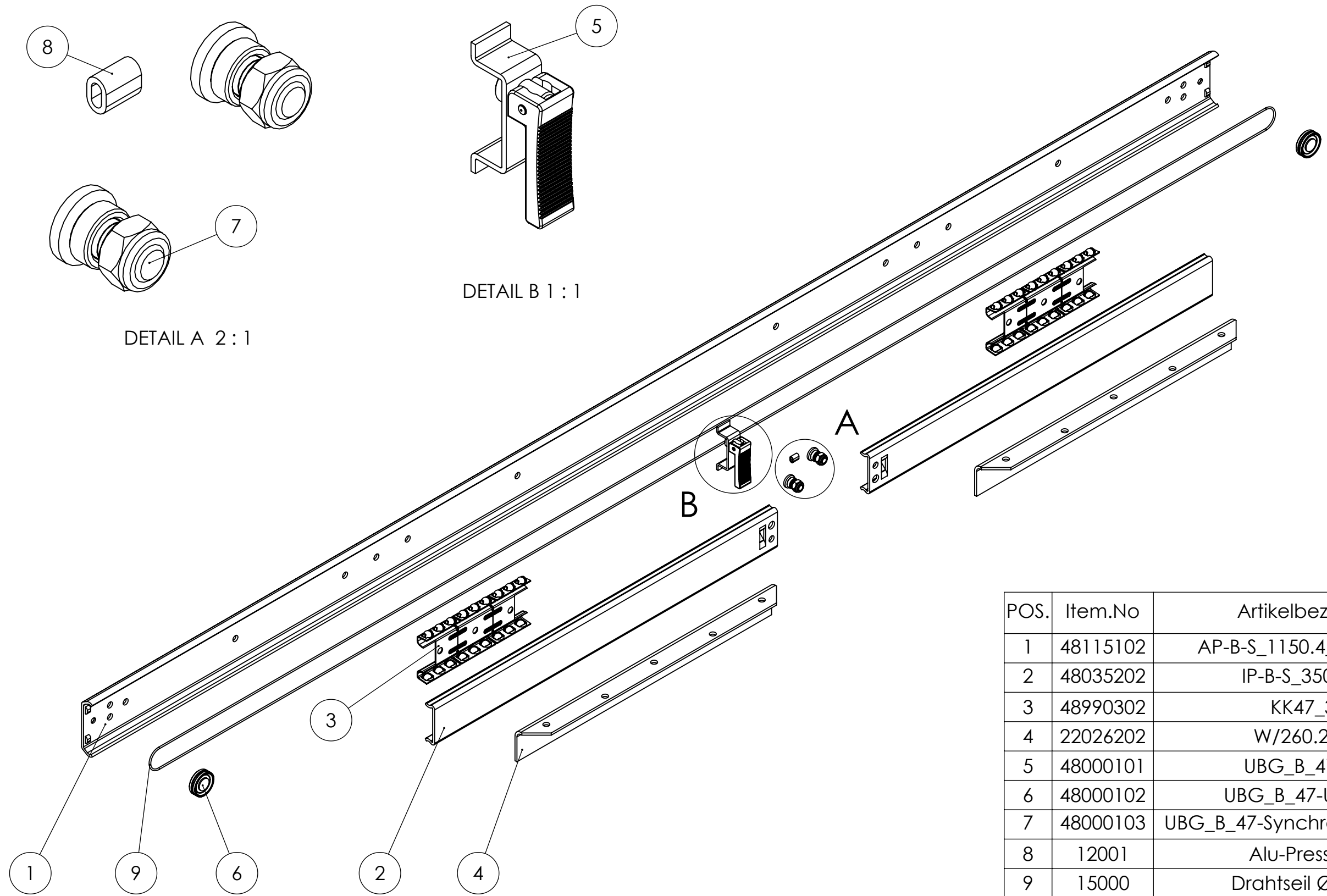


# OPEN



 DIN ISO 128-30	<b>Description:</b> B-SB/1150.4/350.4/W260/KK3				
	Surface: diverse		Material: diverse		Weight: 2.13 kg
<b>PÖTTKER</b> Transforming furniture	<b>Name</b>	<b>Date</b>	<b>Company</b>		
	<b>Signed</b> Vaquero	25.09.12	Second Company:		
	<b>Tested</b> J. Vaquero	25.11.2016	Second Company:		
General tolerance: DIN ISO 2768 - m		Item No: <b>47115110</b>	Scale 1:4	Page 2/3	<b>A3</b>

All property rights and rights to exploitation of copyright for this drawing data remain ours; they may not be made available to third parties without our consent.



POS.	Item.No	Artikelbezeichnung	Menge x2
1	48115102	AP-B-S_1150.4_LB43-6_Typ02	1
2	48035202	IP-B-S_350.4_Typ13	2
3	48990302	KK47_3_St-St	2
4	22026202	W/260.2/5xØ5,1	2
5	48000101	UBG_B_47-Bremse	1
6	48000102	UBG_B_47-Umlenkrolle	2
7	48000103	UBG_B_47-Synchronseilbefestigung	2
8	12001	Alu-Pressklemme	1
9	15000	Drahtseil Ø1,25x1150	1

 DIN ISO 128-30	<b>Description:</b> B-SB/1150.4/350.4/W260/KK3		
	Surface: diverse		Material: diverse
Weight: 2.13 kg			
 Transforming furniture	<b>Name</b>	<b>Date</b>	<b>Company</b>
	<b>Signed</b> Vaquero	25.09.12	
	<b>Tested</b> J. Vaquero	25.11.2016	Second Company:
General tolerance: DIN ISO 2768 - m		Item No: <b>47115110</b>	Scale 1:3
		Page 3/3	<b>A3</b>