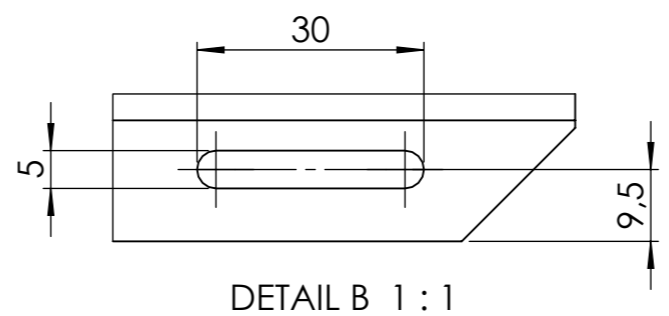
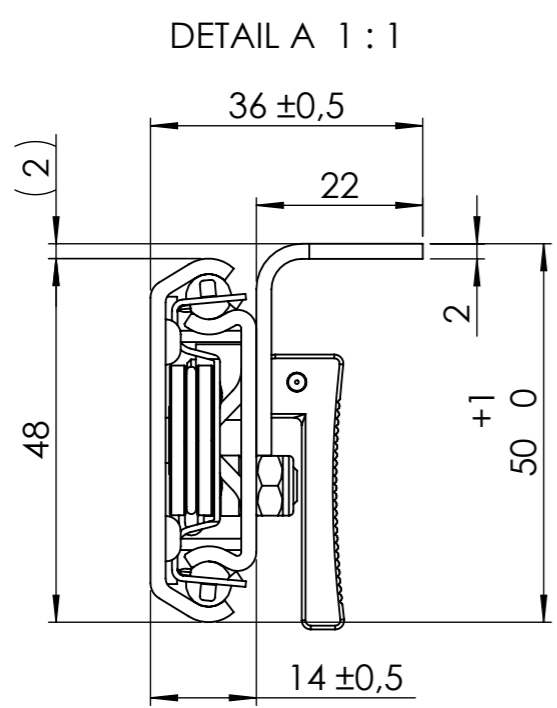
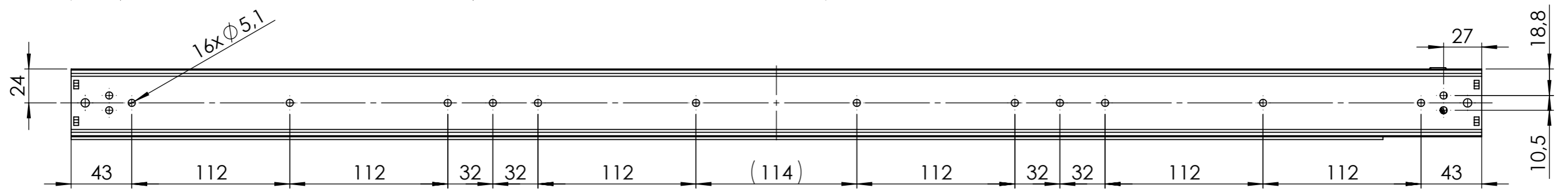
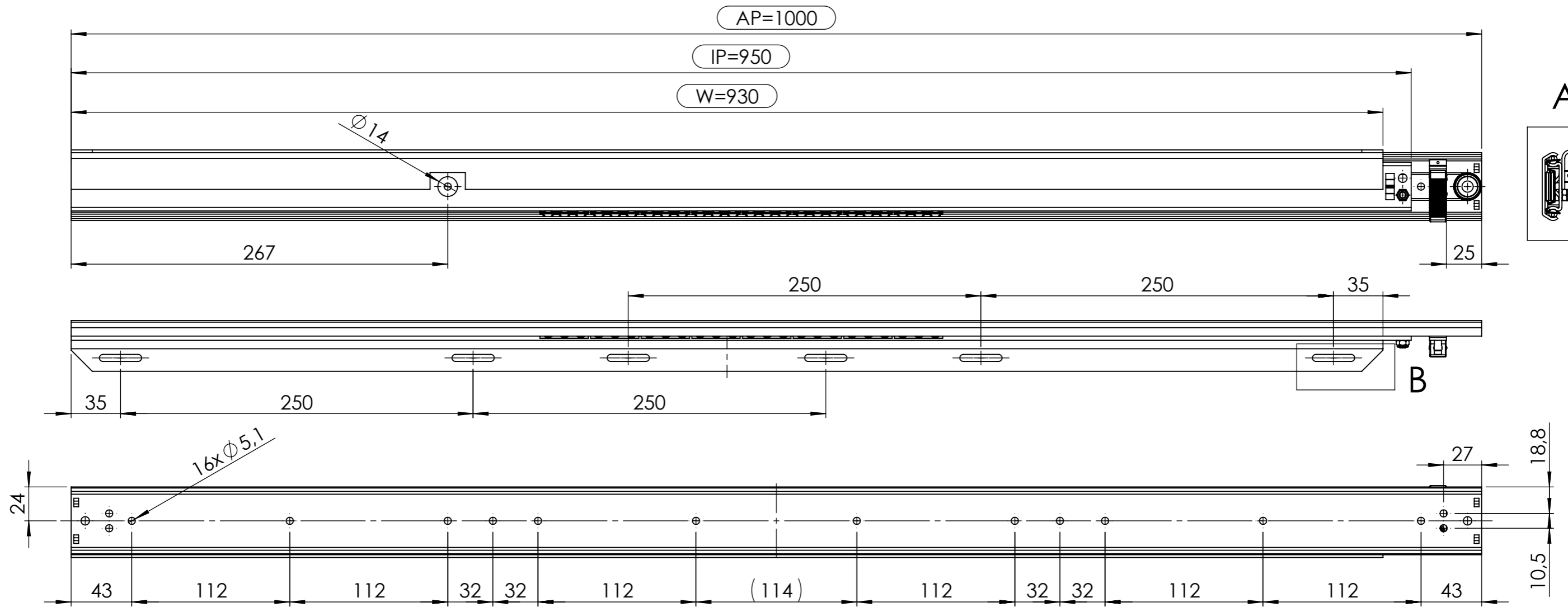


All property rights and rights to exploitation of copyright for this drawing data remain ours; they may not be made available to third parties without our consent.



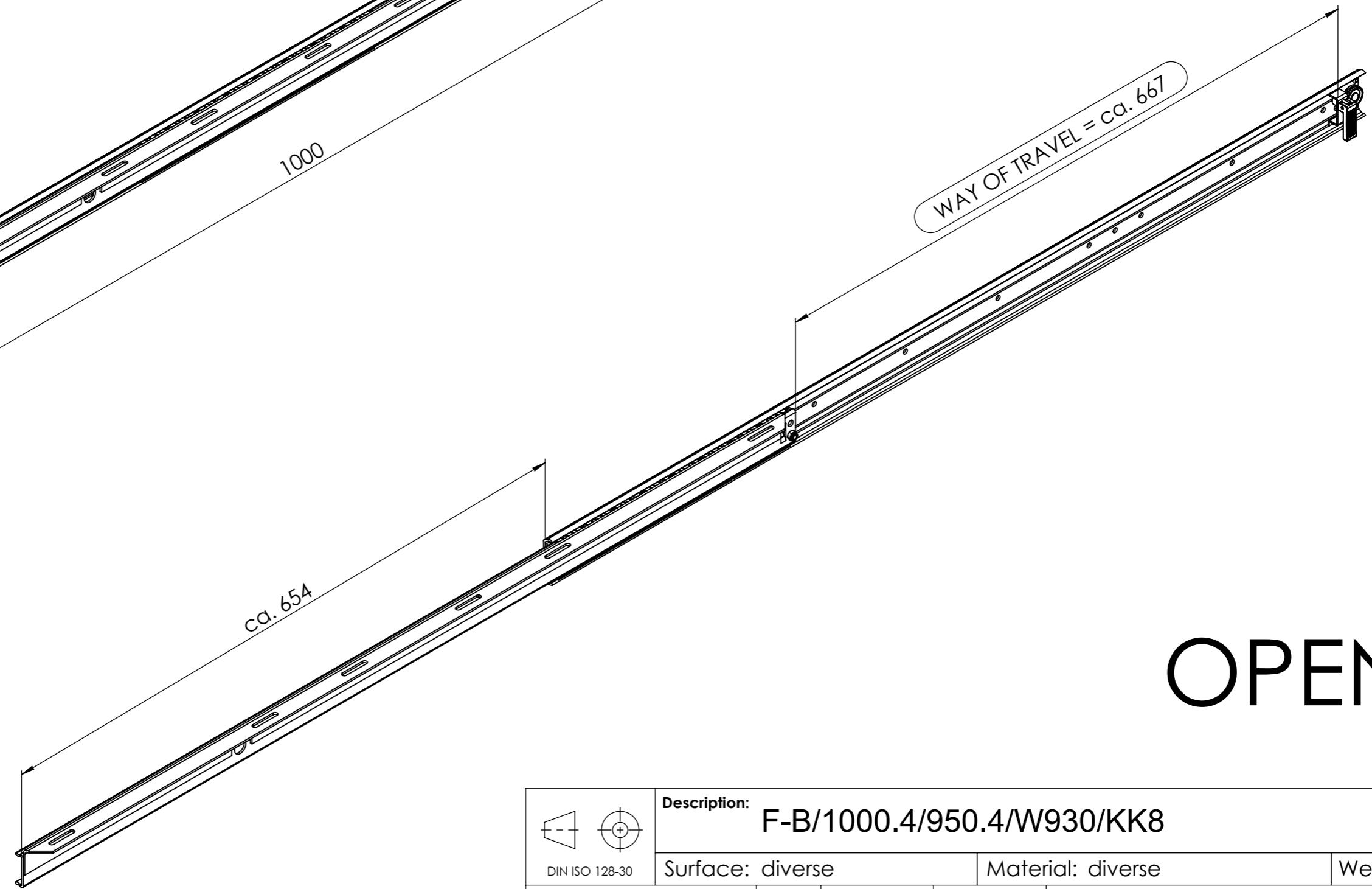
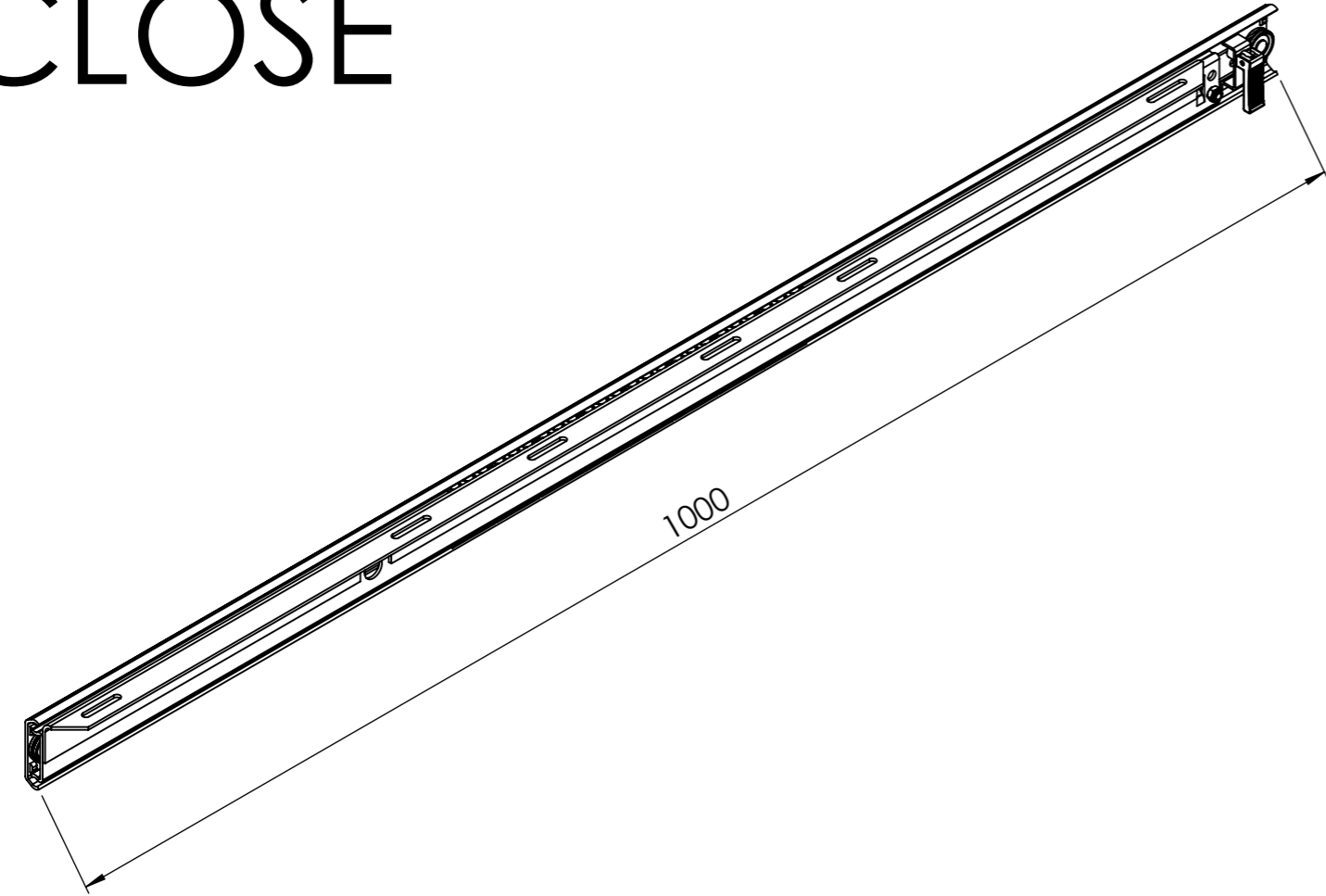
ATTENTION:
designed right
mirror-imaged left

way of travel: ca. **667** mm

a	Stückliste überarbeitet	27.07.17	Va.
Index	Change	Date	Name
	Description: F-B/1000.4/950.4/W930/KK8		
DIN ISO 128-30	Surface: diverse	Material: diverse	Weight: 3.14 kg
PÖTTKER Transforming furniture	Name	Date	Company
	Signed	Vaquero	22.01.13
	Tested	J. Vaquero	16.08.2017
General tolerance: DIN ISO 2768 - m	Item No: 47100314	Scale 1:3	Page 1/3 A3

All property rights and rights to exploitation of copyright for this drawing data remain ours; they may not be made available to third parties without our consent.

CLOSE

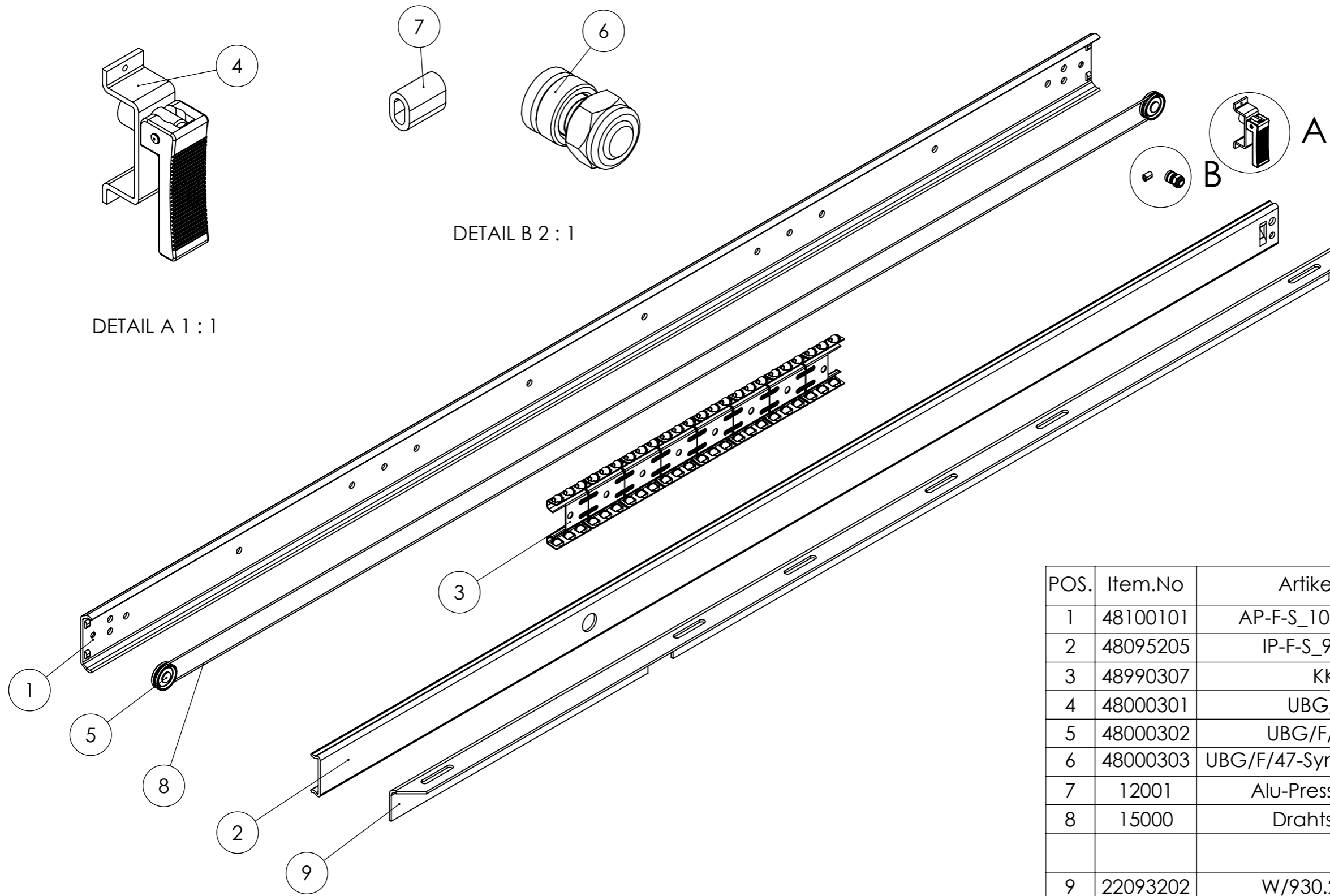


OPEN

ATTENTION:
designed right
mirror-imaged left

 DIN ISO 128-30	Description: F-B/1000.4/950.4/W930/KK8					
	Surface: diverse		Material: diverse		Weight: 3.14 kg	
PÖTTKER Transforming furniture	Name	Date	Company			
	Signed	Vaquero	22.01.13			
	Tested	J. Vaquero	16.08.2017	Second Company:		
General tolerance: DIN ISO 2768 - m		Item No:	47100314	Scale 1:4	Page 2/3	A3

All property rights and rights to exploitation of copyright for this drawing data remain ours; they may not be made available to third parties without our consent.



POS.	Item.No	Artikelbezeichnung	Menge x2
1	48100101	AP-F-S_1000.4_LB43-6_Typ02	1
2	48095205	IP-F-S_950.4_Typ13_267	1
3	48990307	KK47_8_St-St	1
4	48000301	UBG/F/47-Bremse	1
5	48000302	UBG/F/47-Umlenkrolle	2
6	48000303	UBG/F/47-Synchronseilbefestigung	1
7	12001	Alu-Pressklemme/1,5 mm	1
8	15000	Drahtseil Ø1,25x1000	1
			Menge x1
9	22093202	W/930.2/6x30x5/re/267	1
10	22093203	W/930.2/6x30x5/li/267	1

<p>DIN ISO 128-30</p>	Description: F-B/1000.4/950.4/W930/KK8		
	Surface: diverse		Material: diverse
Weight: 3.14 kg			
<p>PÖTTKER Transforming furniture</p>	Name	Date	Company
	Signed	Vaquero	22.01.13
	Tested	J. Vaquero	16.08.2017
General tolerance: DIN ISO 2768 - m		Item No: 47100314	Scale 1:3
		Page 3/3	A3

ATTENTION:
designed right
mirror-imaged left